

# E300-350 | EMBRACE SOFA

## E00S

### DESCRIPTION

The Embrace Sofa is a modular sofa with a distinctive wooden frame that unites a stringent geometric expression with flexible, unrivalled comfort and craftsmanship. The Embrace Sofa comprises ten modules all told, each of which is combinable in every way imaginable, but they can also stand alone, making the sofa exceptionally flexible. The wooden frame and the firm back have a stringent expression, while the upholstery's piping cord produces finely highlighted lines that accentuate the textile or leather seam. The soft down layer on the seat contrasts with the stringent look and – together with the sofa's loose cushions – provides pleasant, embracing comfort.

### DESIGNER

E00S, is a design collaborative established in Vienna in 1995 by Martin Bergmann (b. 1963), Gernot Bohmann (b. 1968), and Harald Gründl (b. 1967). E00S views design as a poetic discipline, believing that end results should be able to accommodate changing needs and desires. E00S designs for many of the world's best-known brands. The trio has published books on design, holds over 15 technical patents, and has won over 130 international awards, including a red dot award, a Compasso d'Oro, the German Design Award, an iF Award, and a Wallpaper\* Design Award.

### MATERIALS

- Legs and armrest: Solid oak with soap, lacquer, oil, white oil or black treatment. Solid walnut with lacquer or oil treatment
- Seat and back: Filled with HR or CMHR foam. Seat with nozag springs for extra comfort. Plywood is included in the frame of the back
- Cushions: Filled with down
- Upholstery: Available in all fabric and leather groups

### PREASSEMBLED

No. The sofa comes in 2 boxes - upholstery parts separately and the base frame in oak/walnut separately. Base frame must be mounted on the sofa. Coupling brackets are to be mounted depending on other sofa elements.

### PRODUCTION PROCESS

All wooden parts are made on machines. Then sanded, surface treated and assembled by hand. Upholstered parts are upholstered separately and then assembled.

### DIMENSIONS

- Seat: D: 75 cm
  - Small cushion: W: 36 x D: 36 x H: 12 cm
  - Large cushion: W: 65 x D: 41 x H: 18 cm
- For more details see line drawings.*

### WEIGHT

- |             |                     |
|-------------|---------------------|
| E300: 28 kg | E330: 31 kg         |
| E301: 35 kg | E331: 38 kg         |
| E310: 34 kg | E340: 20 kg         |
| E311: 42 kg | E350: 23 kg         |
| E320: 31 kg | Small cushion: 2 kg |
| E321: 38 kg | Large cushion: 1 kg |

### UPHOLSTERY CONSUMPTION MADE TO ORDER

- Fabric:
- E300, E320, E330: 2,9 x 1,3 m
  - E301, E321, E331: 3,55 x 1,3 m
  - E310: 3,1 x 1,3 m
  - E311: 3,9 x 1,3 m
  - E340, E350: 2,1 x 1,3 m
  - Small cushion: 1,65 x 1,3 m  
(4 pillows possible on fabric width 1,3 m)
  - Large cushion: 2,2 x 1,3 m  
(3 pillows possible on fabric width 1,3 m)
- Leather: awaiting

### TEST & CERTIFICATIONS

FSC™-certified oak or walnut (FSC C135991)

EN 16139:2013, Furniture – Strength, durability and safety - Requirements for non domestic seating

EN 16139 Test severity L2: Extreme use: E.g. in night-clubs, police stations, transport terminals, sport changing rooms, prisons, barracks (non-controlled areas).

### QUICK SHIP

No

CARLHANSEN.COM

 **CARL HANSEN & SØN**  
PASSIONATE CRAFTSMANSHIP



### MATERIALS (FRAME)



Oak soap



Oak oil



Walnut lacquer



Oak lacquer



Oak black treatment



Walnut oil



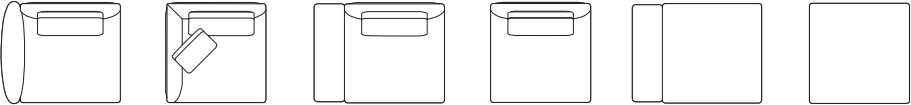
# E300-350 | EMBRACE SOFA

E00S

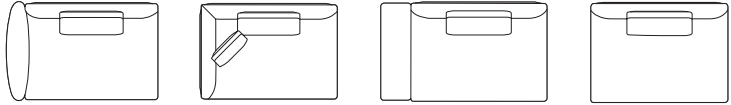


## PRODUCT OVERVIEW

### SINGLE ELEMENTS (LEFT/RIGHT)

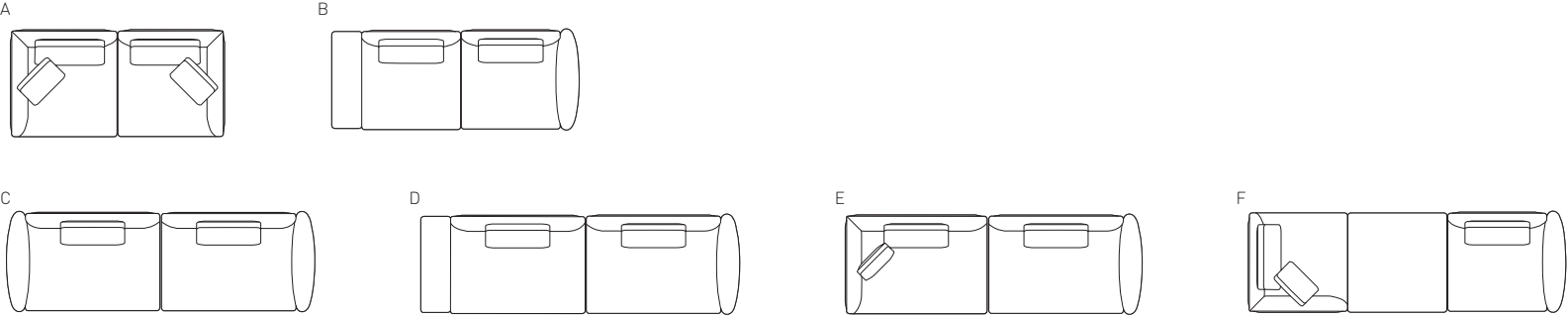


Cushion 87 cm



Cushion 120 cm

### SOFA CONFIGURATIONS EXAMPLES



### CORNER CONFIGURATIONS EXAMPLES

